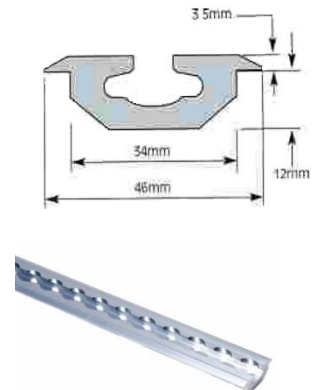


RAILS AND ACCESSORIES

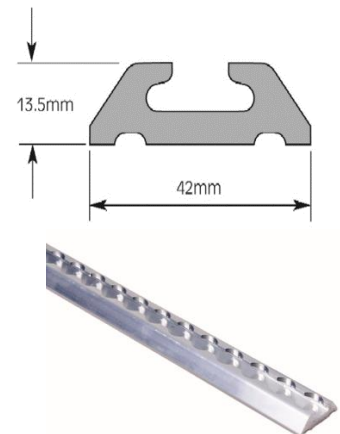
Low profile rails (Referencia 9512)

- Recessed rails (Reference 9512)
- Low profile rails are embedded in the floor of the vehicle giving a clean finish.
- Extends from the floor only 3.5mm.
- Requires M8 or M6 screws, fixed in the countersunk holes in 101.6mm intervals, leaving the head of the screws flush.
- 37 screws are required for each 3.66m guide.
- Low profile rails can be cut to the required size upon request.
- These rails are available in three types: drilled M6 and M8 and without drilling.



Surface rails (Reference 9510)

- The mounting of the surface guides is simple and fast and adaptable for the floors of the vehicles.
- Only 13.5mm protrudes from the floor.
- Requires M8 or M6 screws, fixed in the countersunk holes in 101.6mm intervals, leaving the head of the screws flush.
- 37 screws are required for each 3.66m guide.
- The recess guides can be cut to the required size on request



Other accessories

- Encasement rails terminal (Reference 9513)
- Surface rails terminal (Reference 9514)
- rails cover 25m (9523/2)

