


Hidral  Gobel



FORD TOURNEO CONNECT

Hidral Gobel collaborates with Focaccia Group in the homologation, sale and assembly in Spain of its lowering kit for the Ford Tourneo Connect, L2 H1.

With an innovative and practical design, this vehicle becomes an accessible means of transport for wheelchair users.

SPACE AND COMFORT

The design of the vehicle makes every journey easy and comfortable for everyone, allowing the wheelchair user to access the vehicle from the rear using the lightweight and practical ramp.



SAFETY AND RELIABILITY

The four-point floor anchorage and the three-point belt ensure the safety of the wheelchair user. In addition, these restraints are fully compliant with ISO 10542 and have been subjected to the most stringent tests to obtain European type approval.

ELEGANCE AND STYLE

The conversion of this accessible means of mobility raises Ford's design and styling standards. In-depth research and detailed styling studies give distinctive features to this vehicle, which is manufactured entirely at the Focaccia Group.

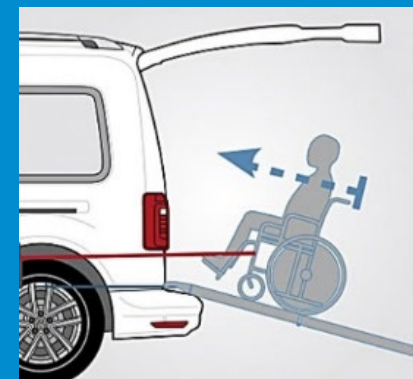
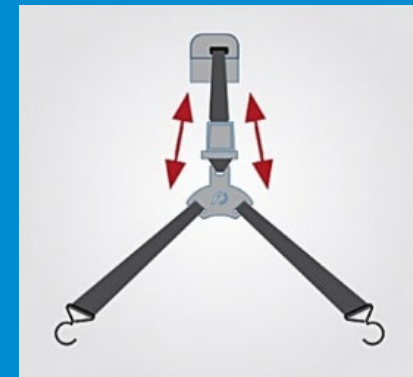
GENIUS RAMP

The Genius Ramp is a practical system allowing the access ramp to fold internally and recreate a flat surface useful for positioning luggage, objects or shopping when the wheelchair user is not in the vehicle, making the car useful for families and equally for professionals such as taxi drivers and rental companies and others.



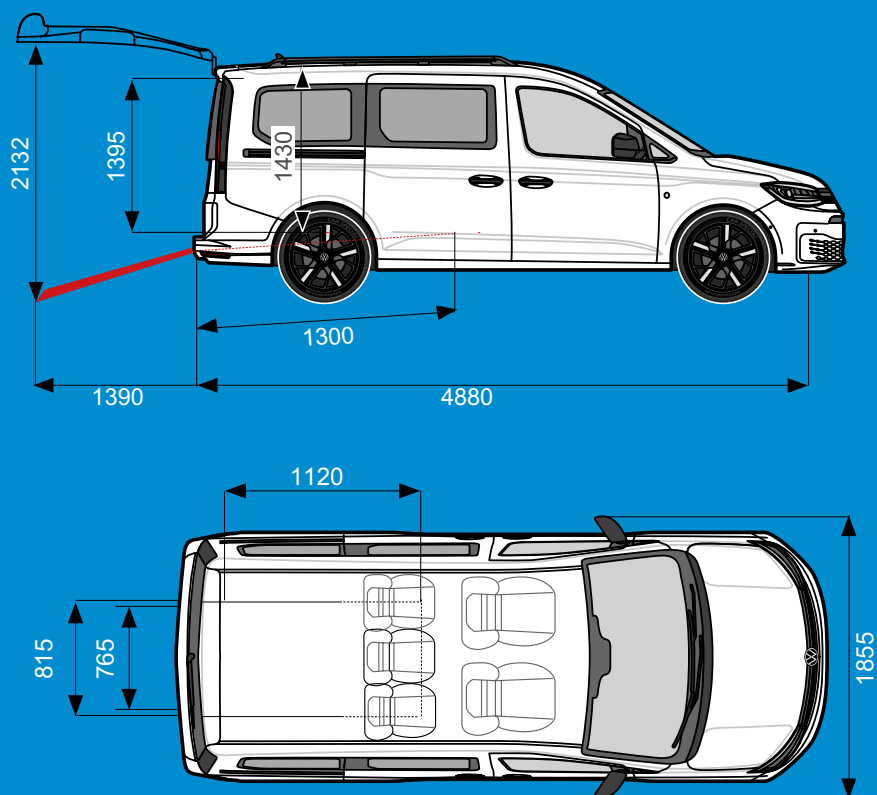
F-WINCH

The F-Winch is an innovative electric winch that assists wheelchair access to the vehicle gently and without any effort. Equipped with the easy to use wired or wireless radio controlled "F-Remote".

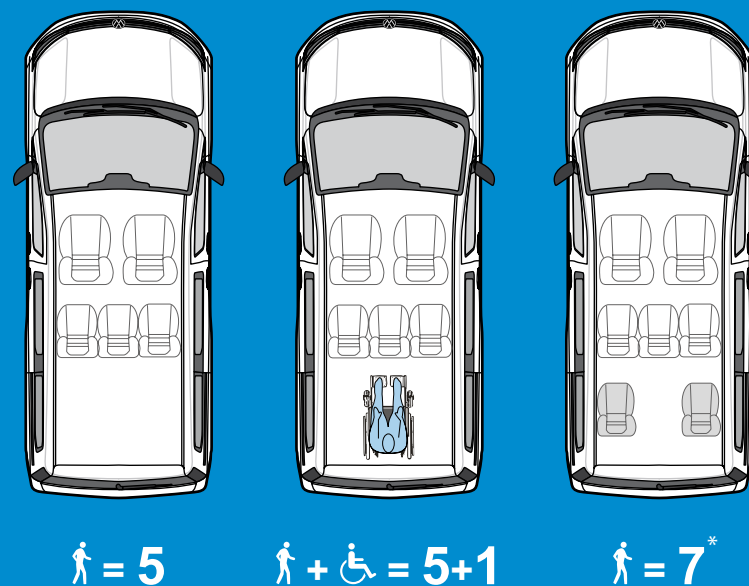


CONFIGURATION AND TECHNICAL SPACE

- Entrance height 1395 mm.
- Useful internal height 1430 mm.
- Length between WTORS 1120 mm.
- Length of wheelchair parking area 1300 mm.
- Width of wheelchair parking area 815 mm.
- Open ramp length 1390 mm.
- Usable access ramp width 765 mm.



*Configuration with optional swivel seats: in the third row it is possible to install the foldable swivel seats that allow to recover 2 seats when the person in a wheelchair is not on board.



Hidral  Gobel



+34 91 677 00 95
hidralgobel.com
info@hidralgobel.com
linkedin.com/hidral-gobel
